

FUN 11DM

Assembly Instruction



Before you get started



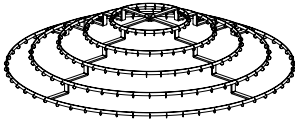
Read the entire manual
before mounting

Recommendation: The chains in the box are not the same length, so it is important that you alternate between the two lengths.

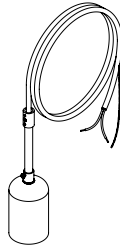
Maintenance: Clean with a soft cloth, warm water and a mild detergent.
Do NOT use any abrasive materials.

Light source: To achieve a bright, warm and clean light we recommend a light source with the following: 800+ lumens, 2700 Kelvin, CRI90+

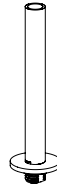
Box contains:



Fun Frame x 1



Socket cup x 1



Top Locking Pin x 1



Suspension Tube x 1



Strain Relief x 1



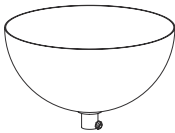
Terminal Block x 1



Wire Lock x 1



Plastic Loop x 1



Canopy x 1



Box 1



Box 2



Box 3

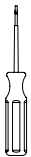


Box 4



Box 5

You will also need:



Flathead Electric Screwdriver



Philips Screwdriver

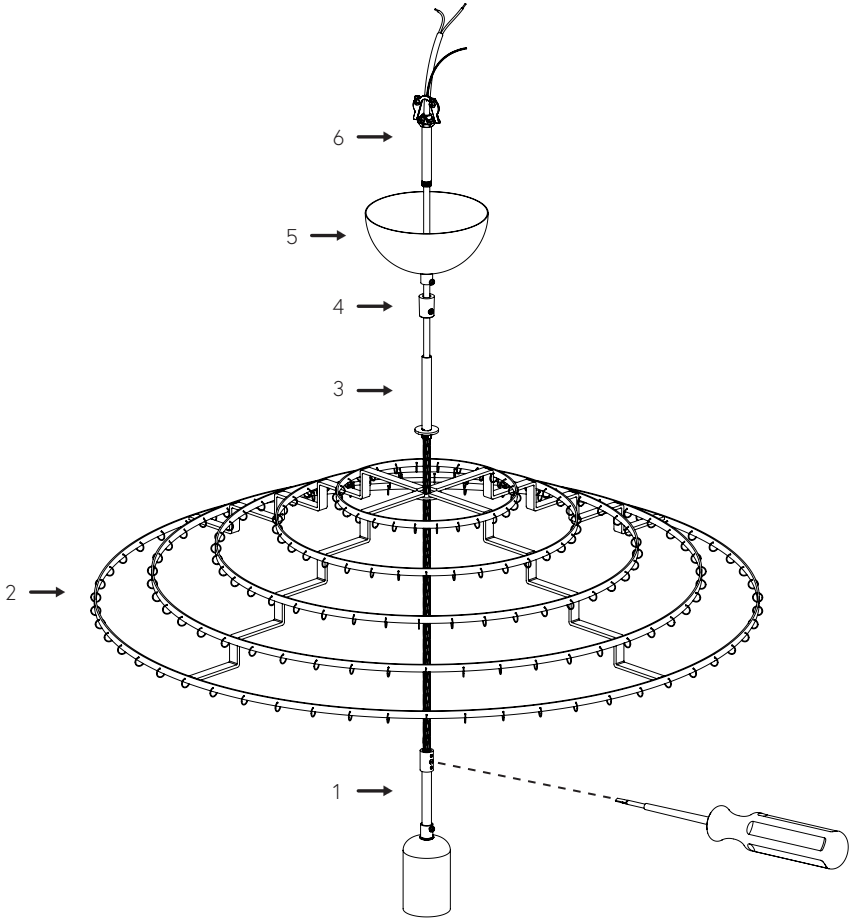


E27, max. 60W

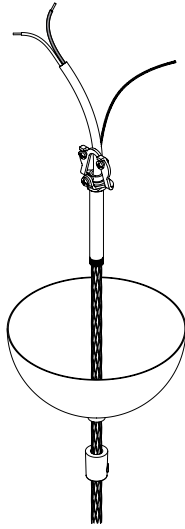
1

Make sure the parts of the lamp are mounted correctly:

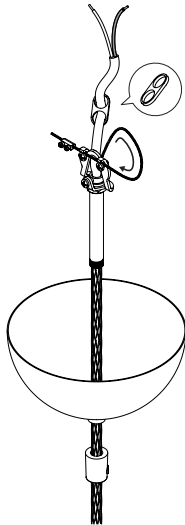
1. socket cup
2. fun frame
3. top locking pin
4. strain relief
5. canopy
6. suspension tube



- 2** The wire must be secured. Read step 3.
!Important that the weight of the lamp, entirely is in the wire.



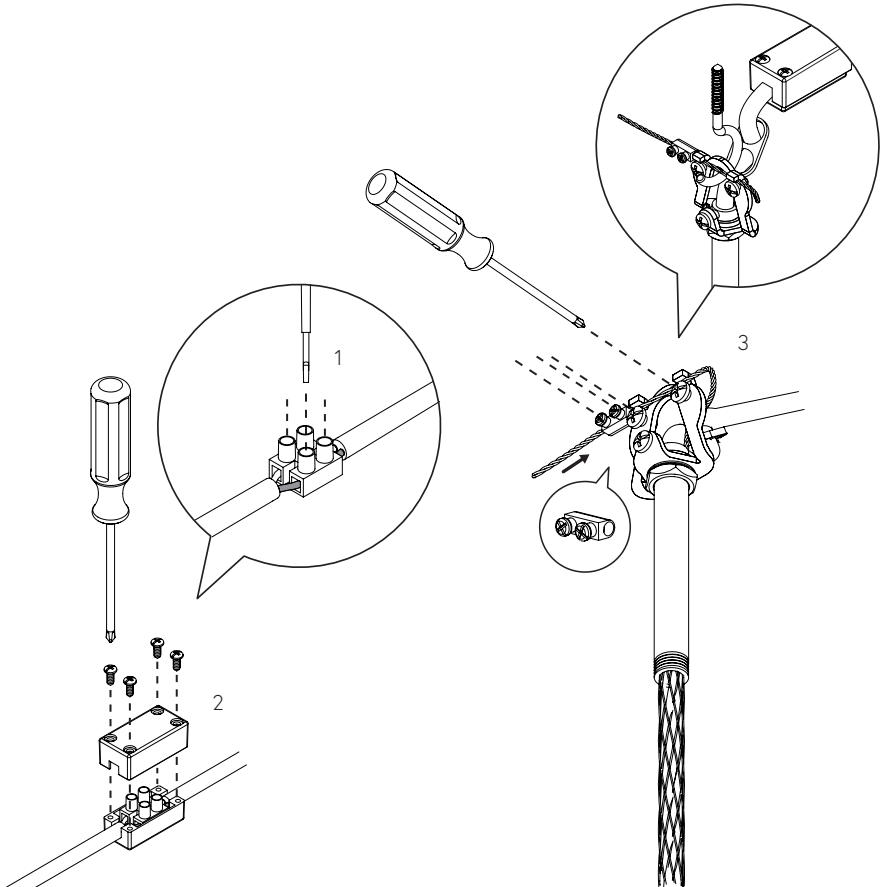
- 3** Secure the plastic loop to the cord.
Fix the steel wire around the screws on the suspension tube and apply the wire lock on the steel wire



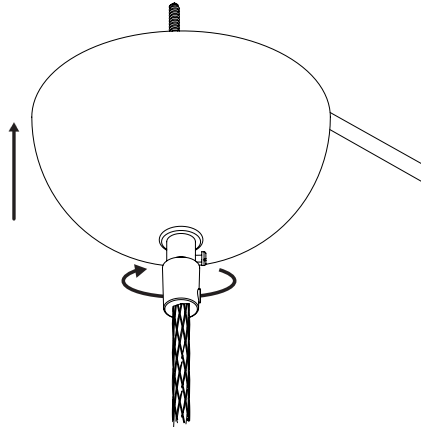
4

- 1) Place the outlet cord in the terminal block and assemble it with screws.
- 2) Connect the cord to an outlet or extend it by using the terminal block.
- 3) Push and tighten the wire lock on the steel wire and firmly tighten the screws. Use the suspension tube to mount the lamp on the ceiling.

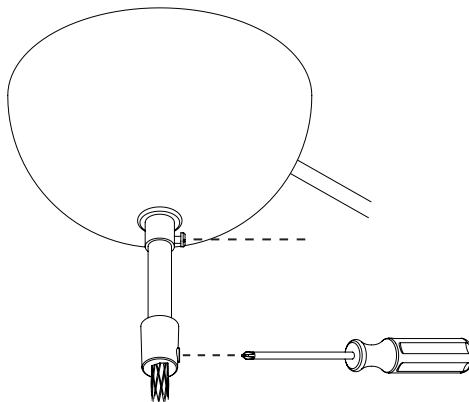
NB! The steel wire should carry the total weight of the lamp.



- 5** Lift the canopy so the thread at the bottom of the suspension tube is visible.
Tighten the strain relief to the suspension tube.

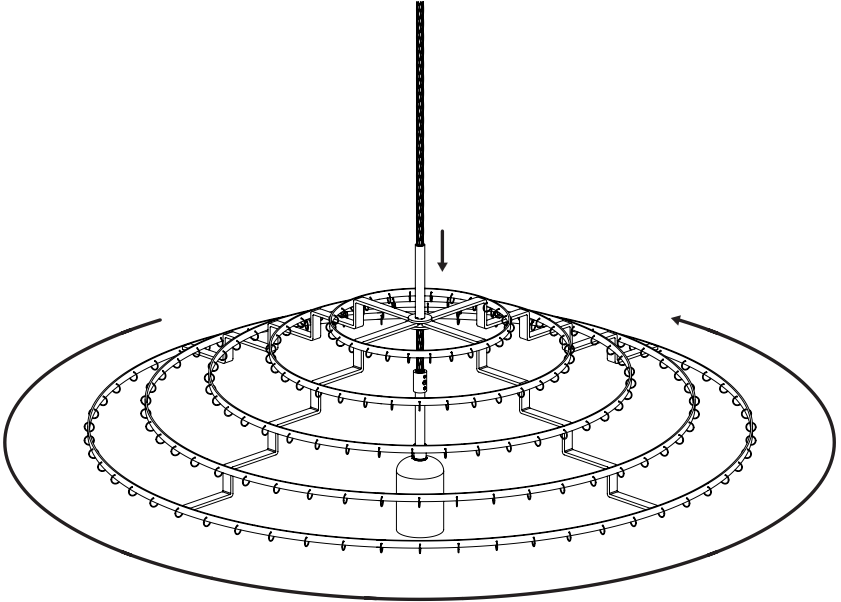


- 6** Lift the canopy to the ceiling and tighten the screw on the canopy.
Tighten the set screw on the strain relief.



7

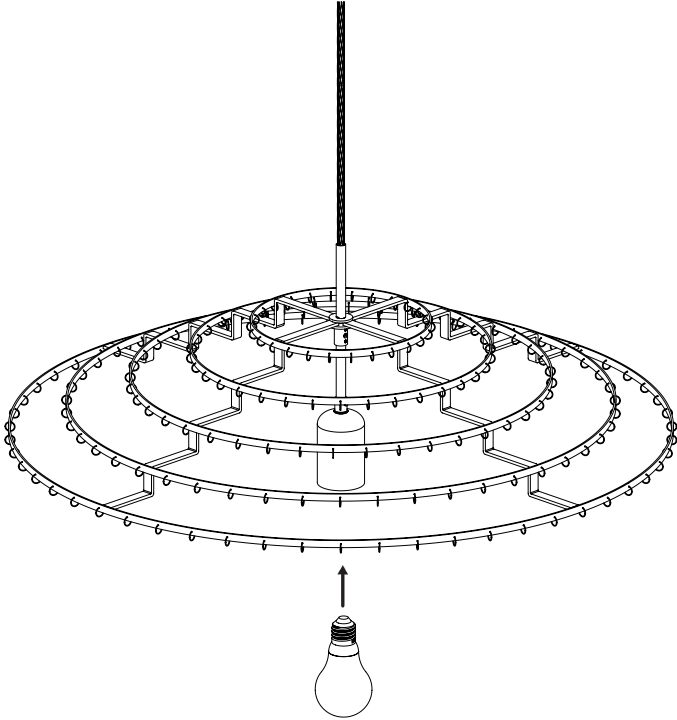
Carefully push the Fun Frame down and screw it onto the socket cup.



8

8

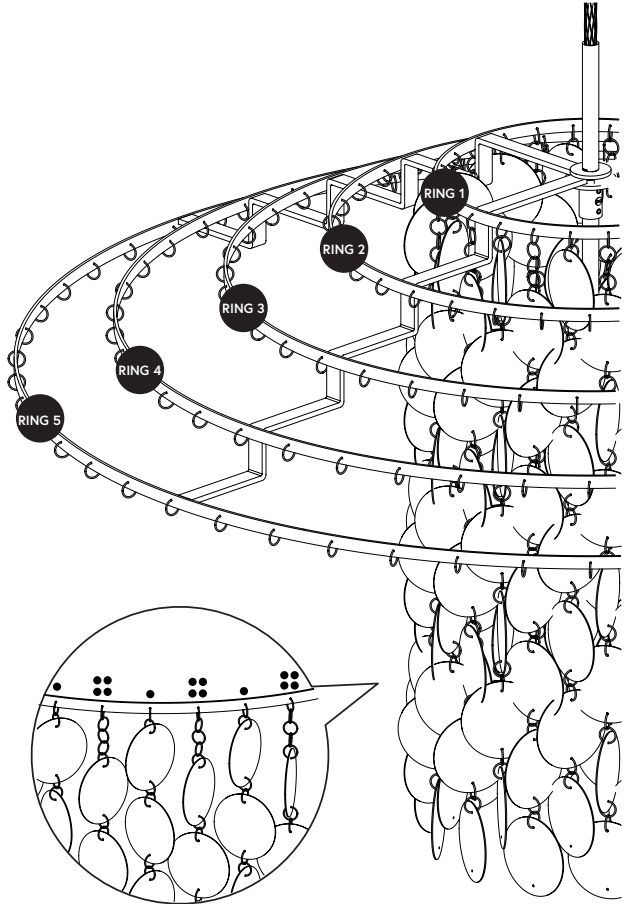
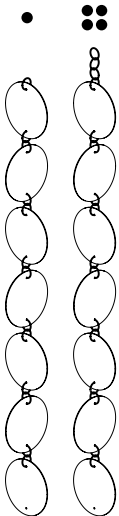
Carefully push the Fun Frame down and screw it onto the socket cup.



9

Open the box Ring 1.

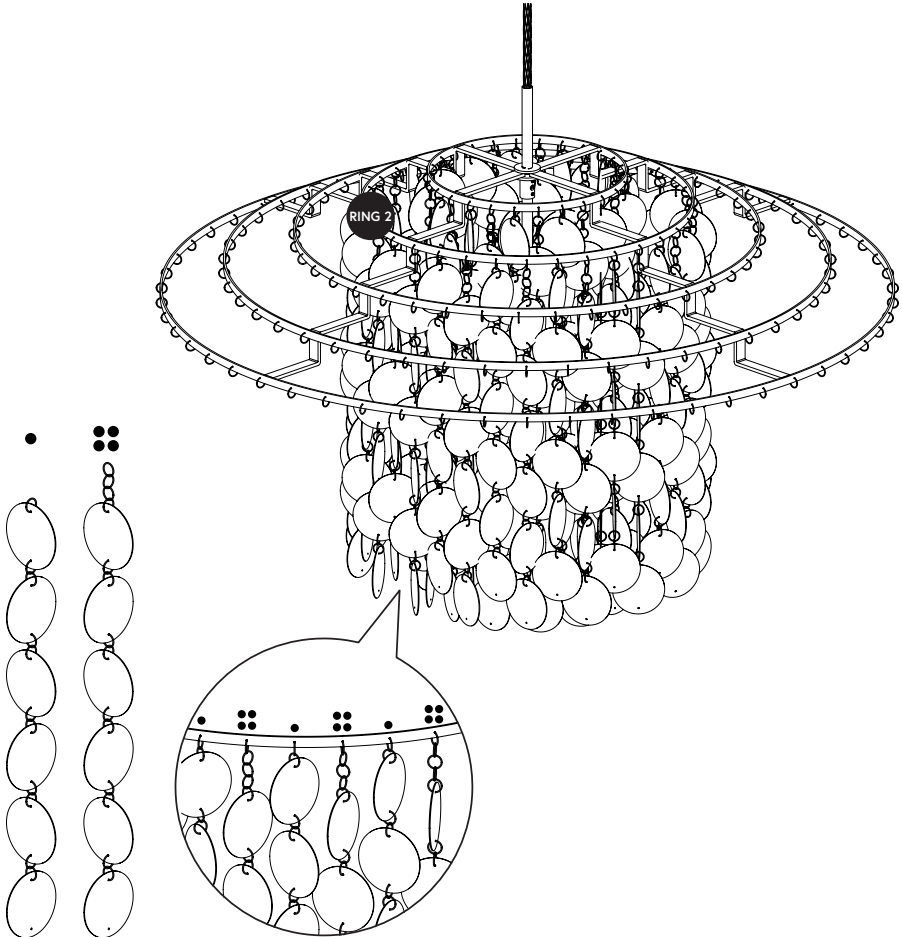
Now alternately place the shells with one- and four rings on ring 1.



10

Open the box Ring 2.

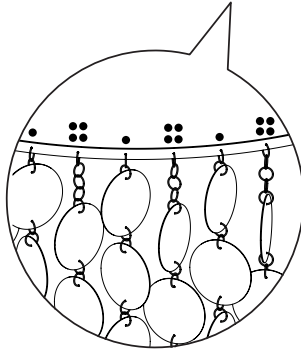
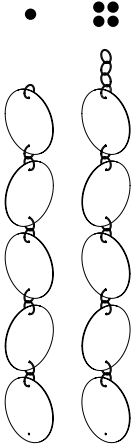
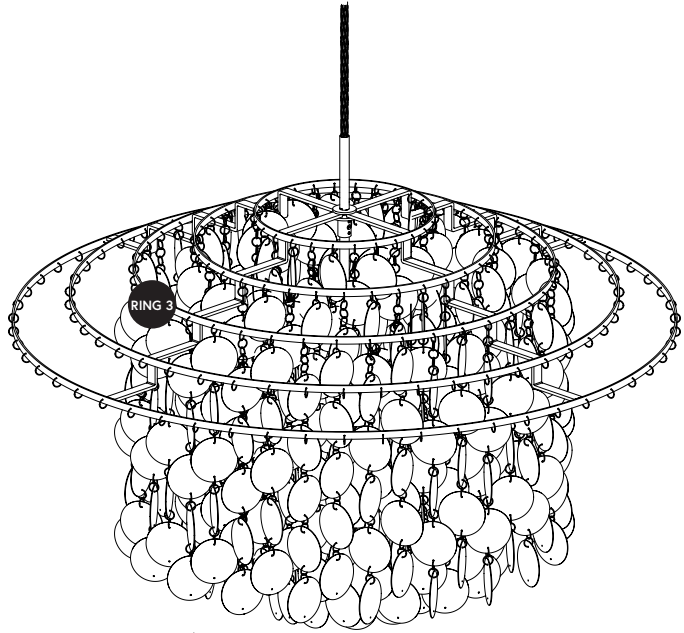
Now alternately place the shells with one- and four rings on ring 2.



11

Open the box Ring 3.

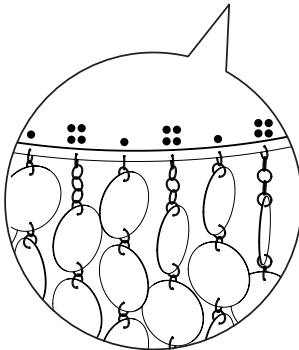
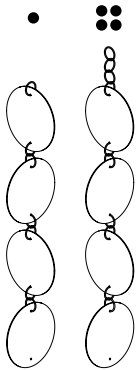
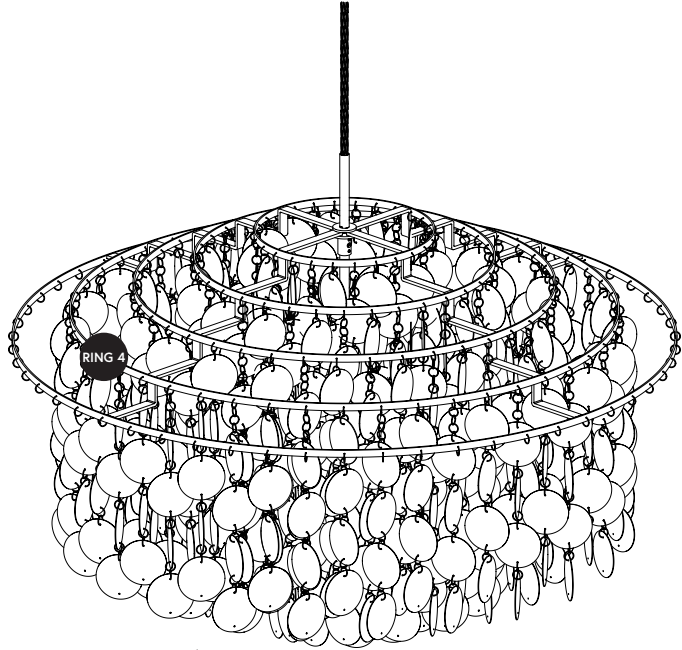
Now alternately place the shells with one- and four rings on ring 3.



12

Open the box Ring 4.

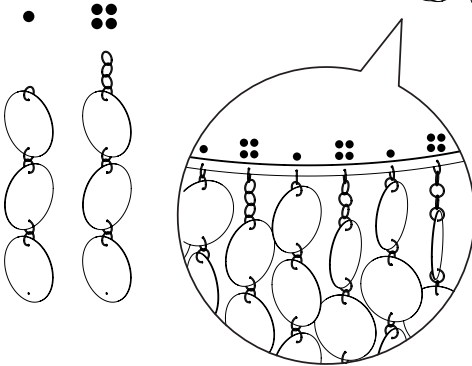
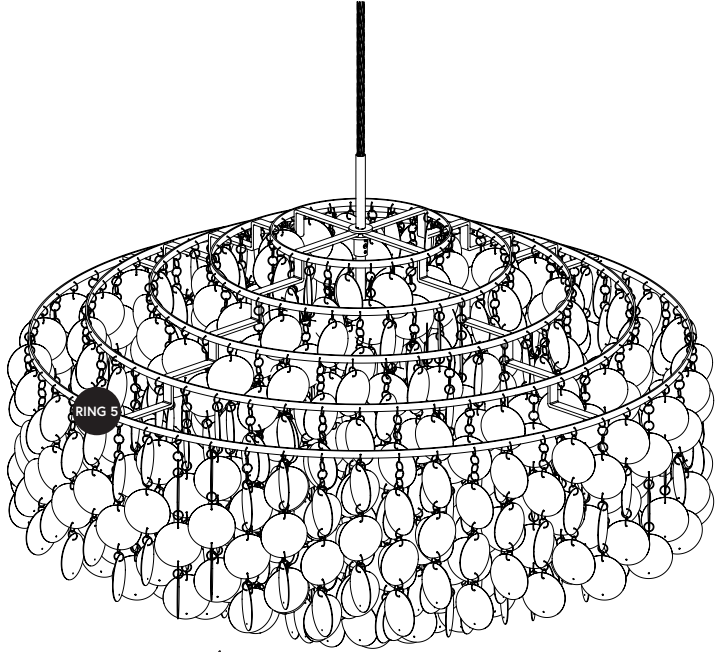
Now alternately place the shells with one- and four rings on ring 4.



13

Open the box Ring 5.

Now alternately place the shells with one- and four rings on ring 5.





Egeskovvej 29 | 8700 Horsens | Denmark
info@verpan.com | verpan.com